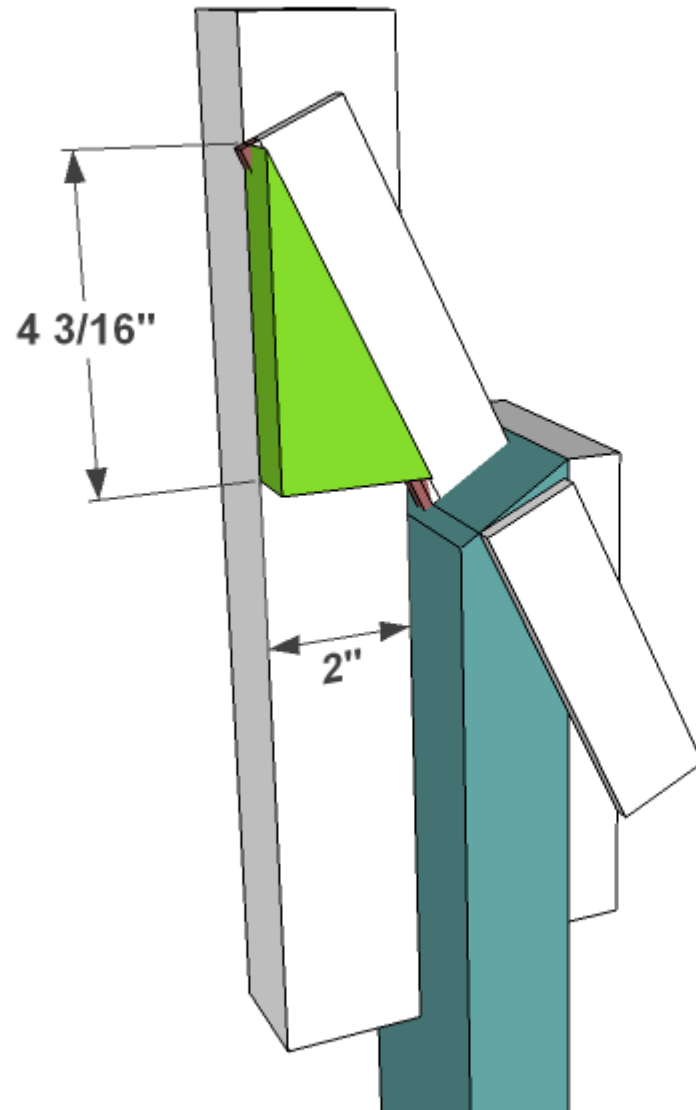


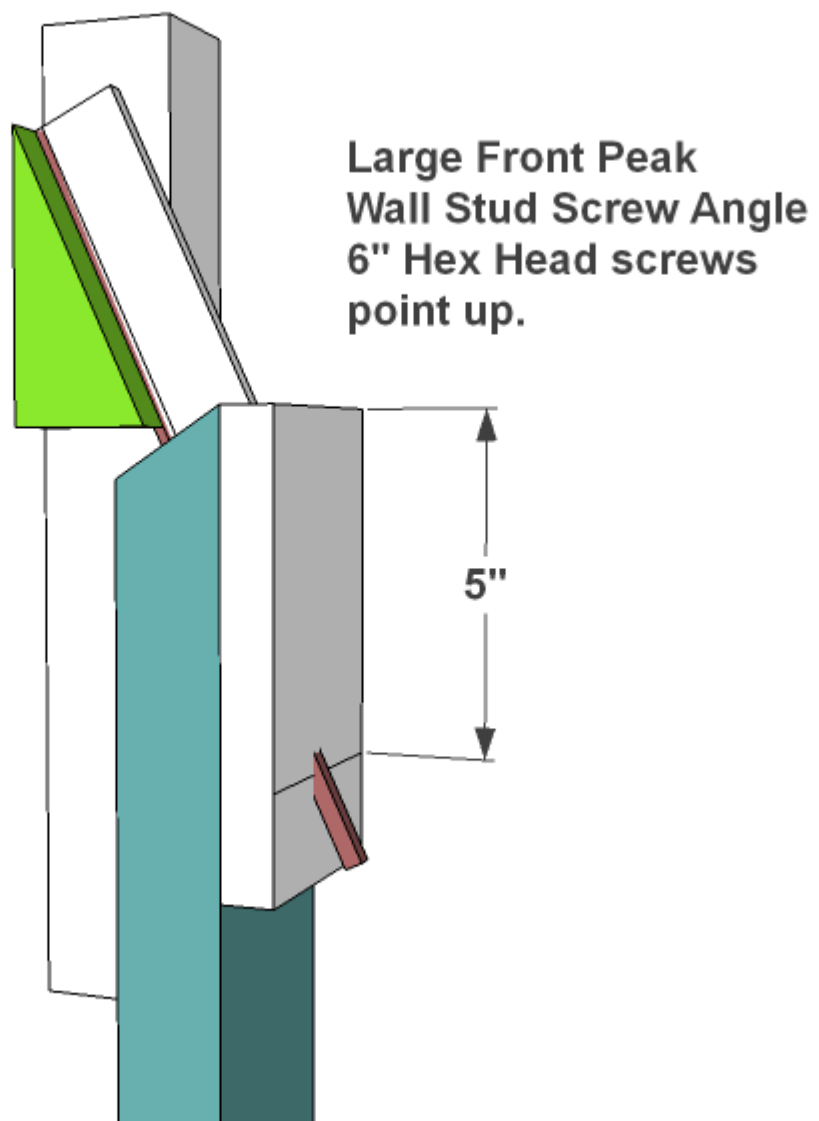
[Large Front drillGuide](#)
[Small Front drillGuide-fixture](#)
[Left-Right drillGuide](#)

1. Large Front Peak.

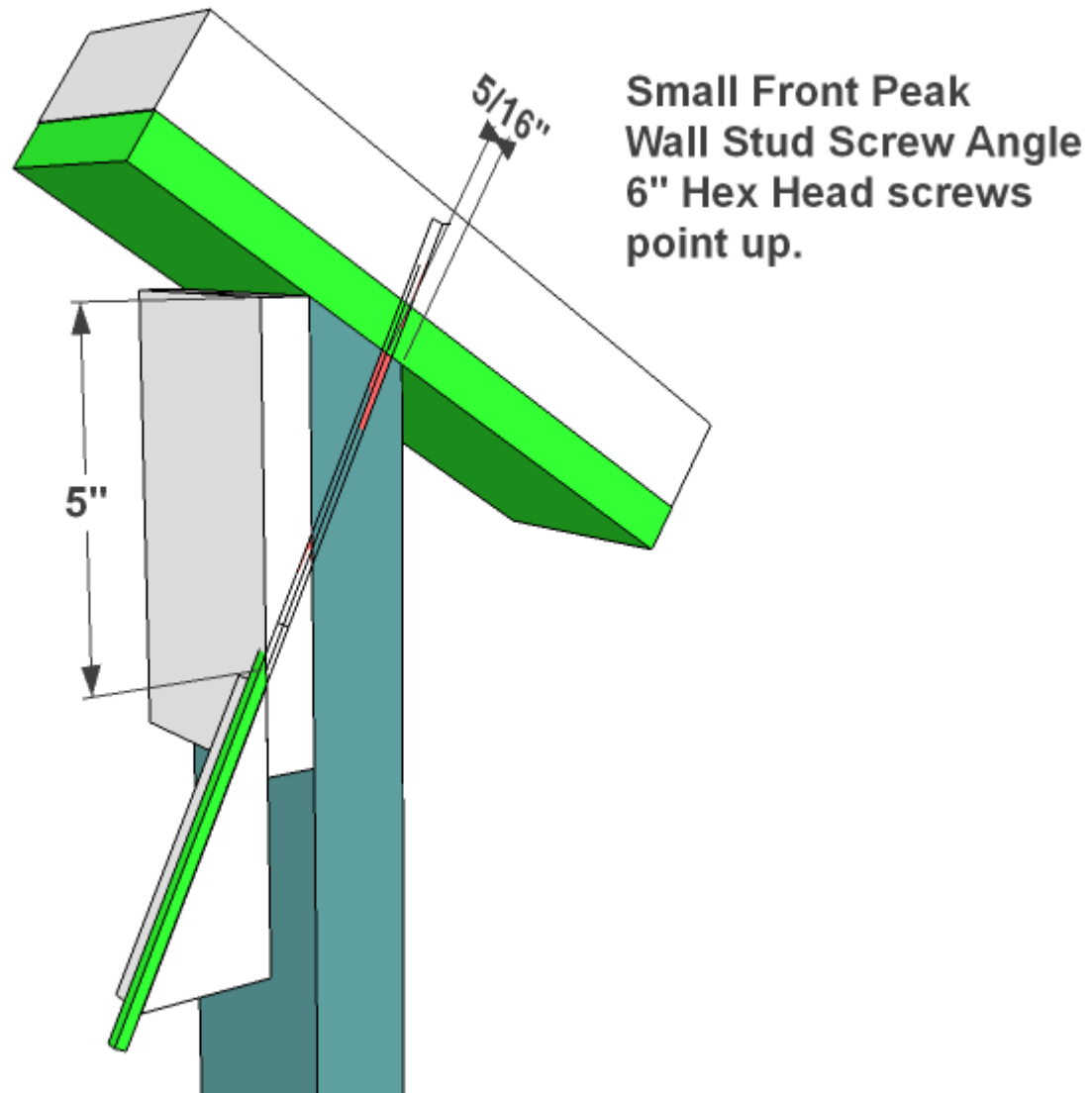


**Large Front Peak
Wall Stud Screw Angle
6" Hex Head screws
point up.**

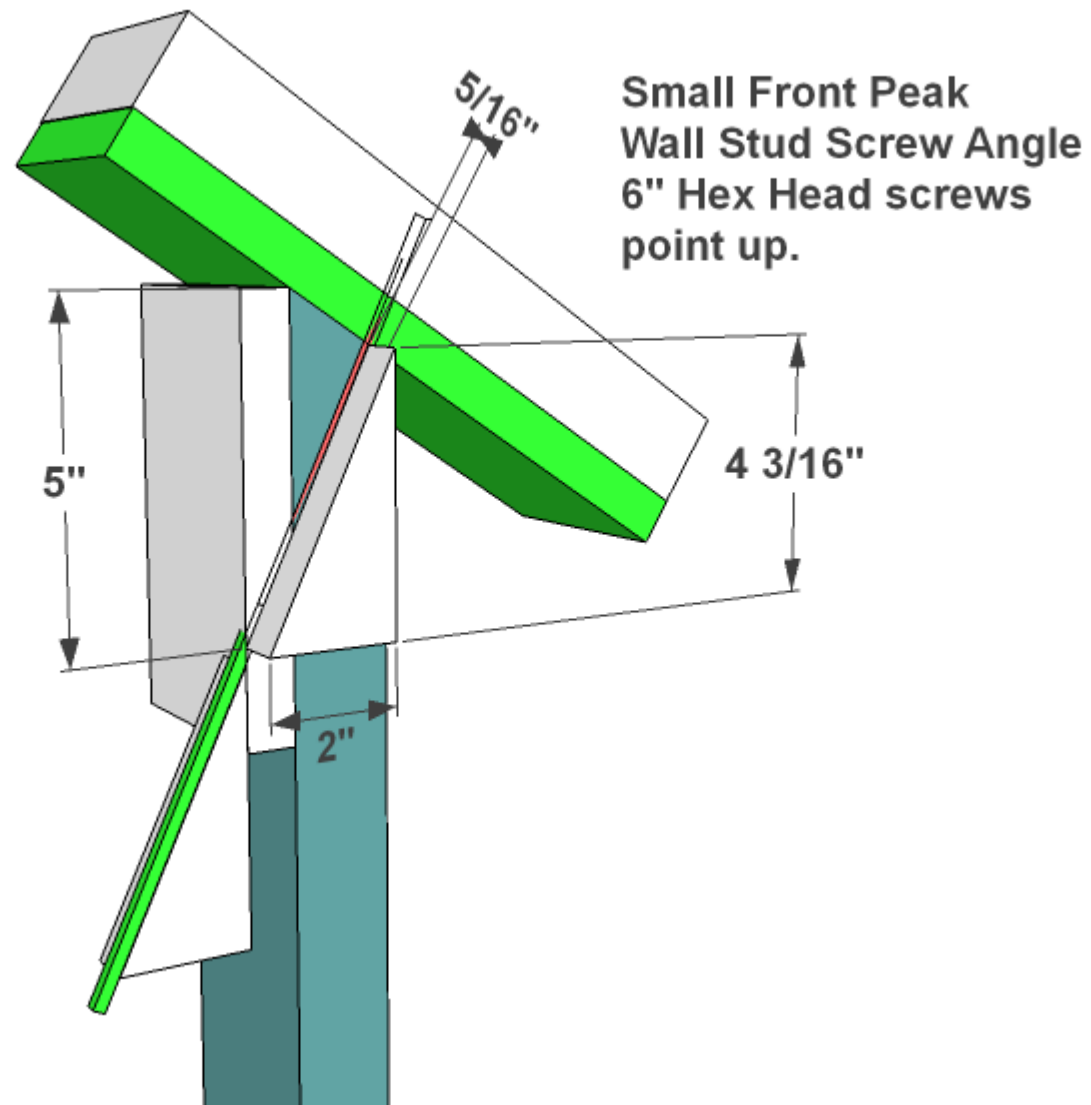
2. Large Front Peak.



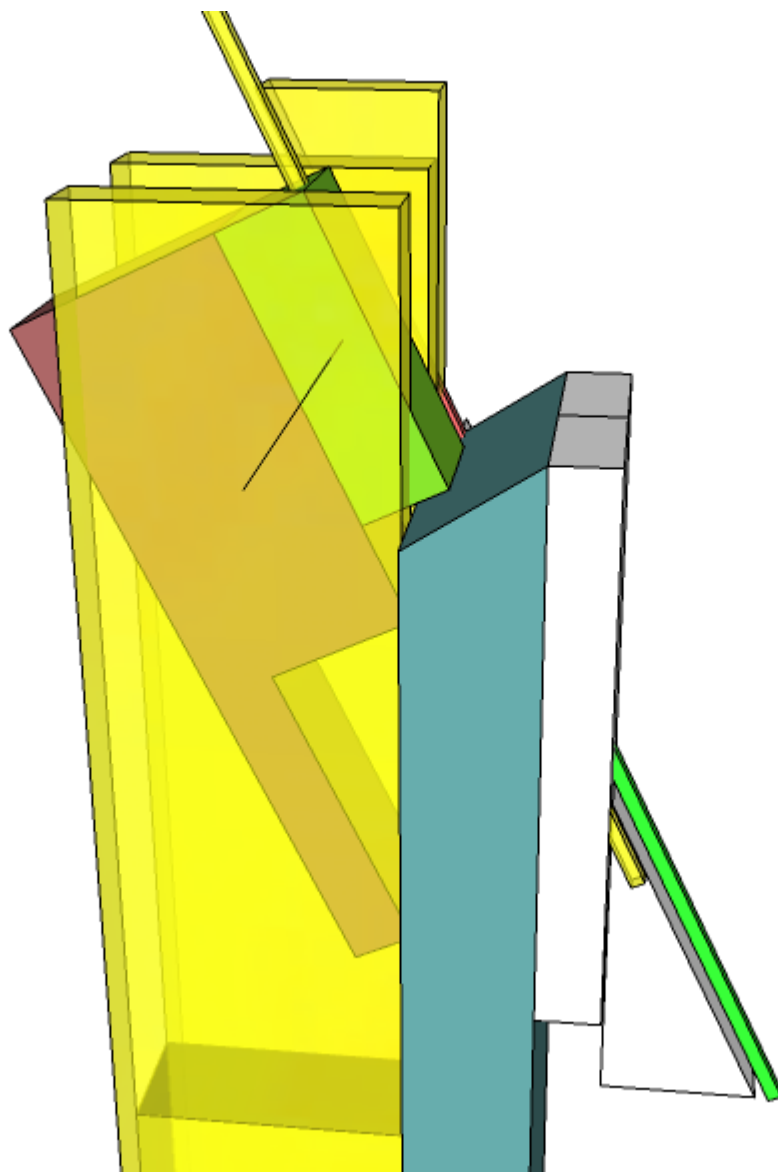
3. Small Front Peak.



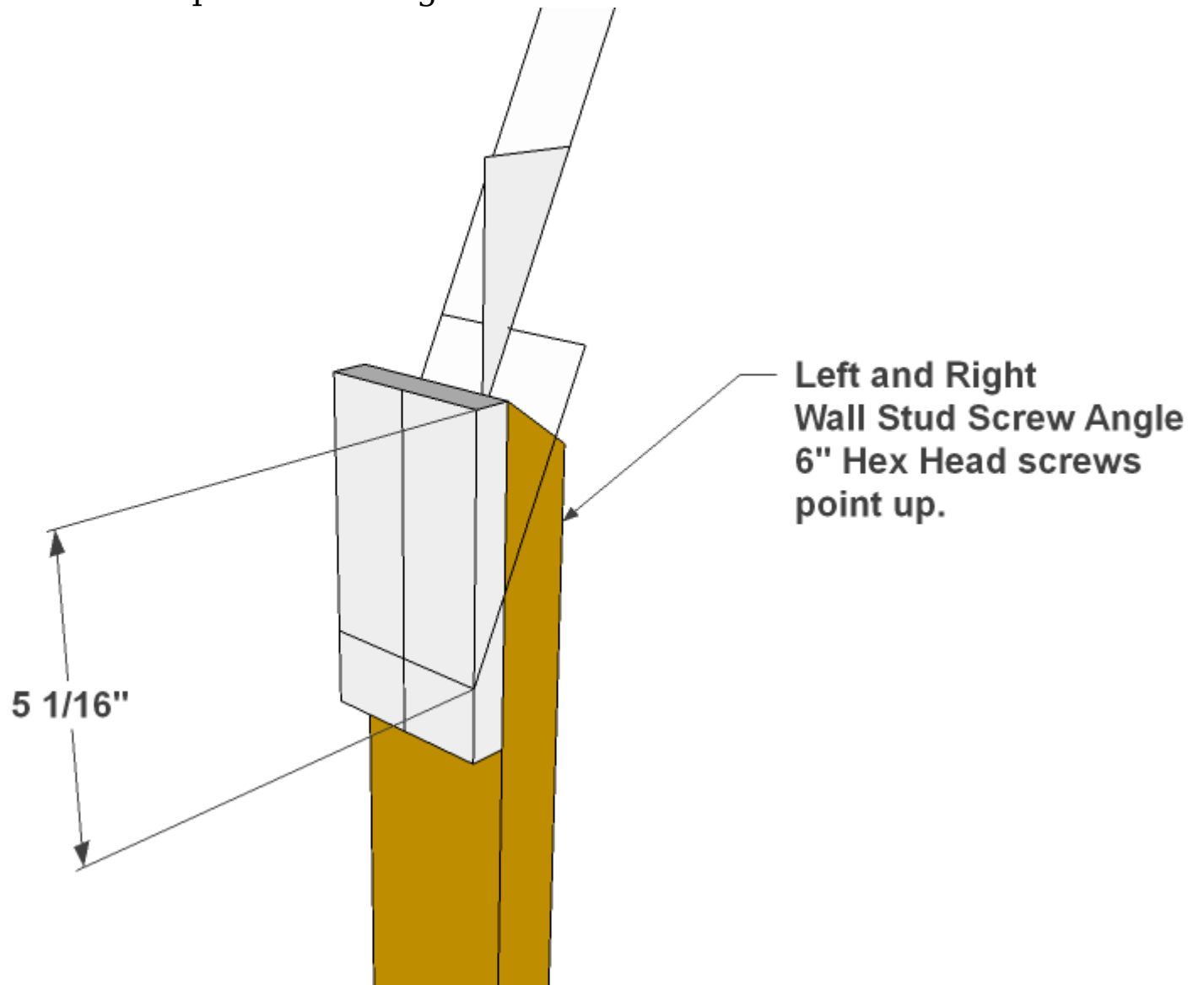
4. Small Front Peak.



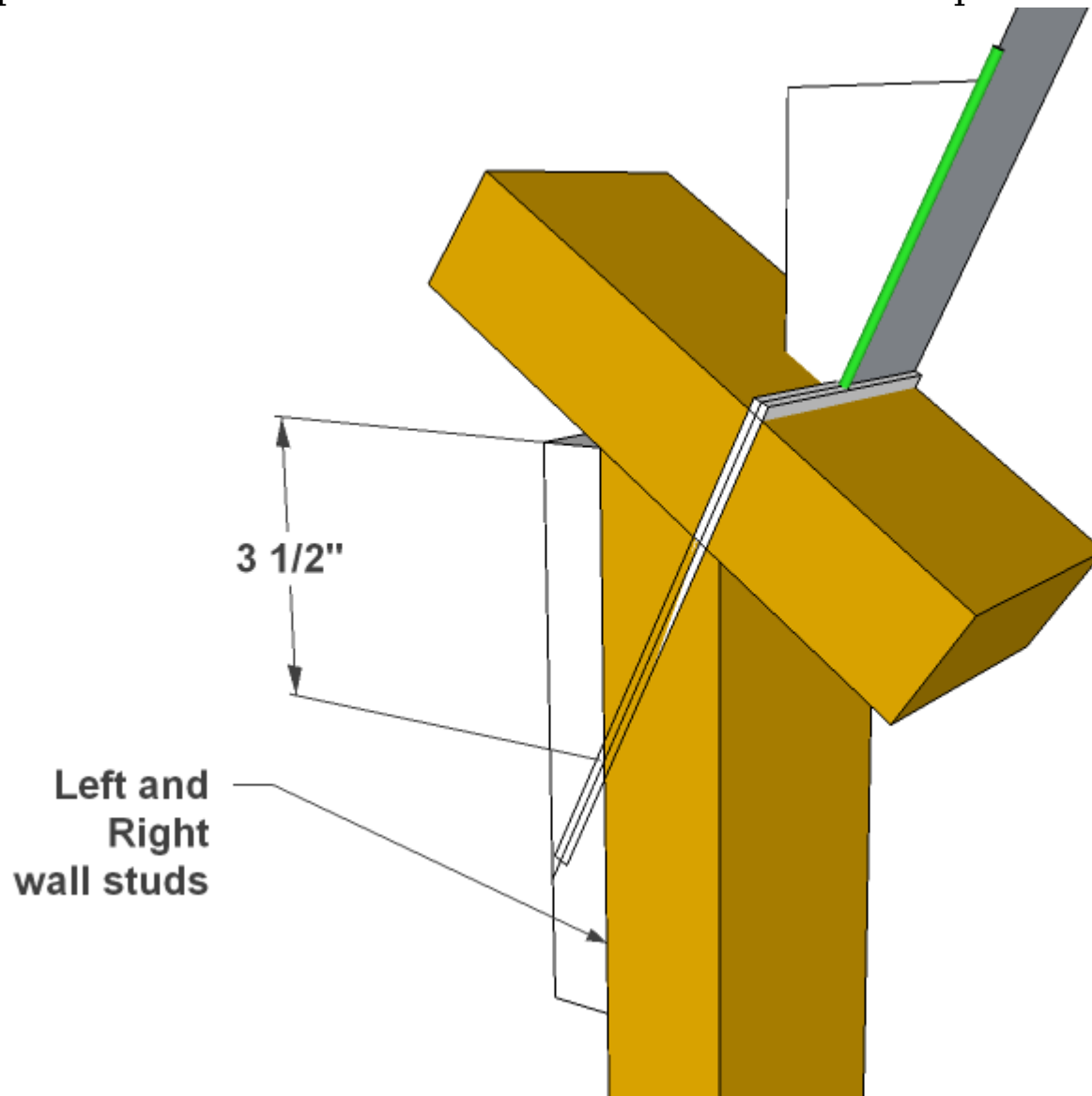
5. Small Front Peak.



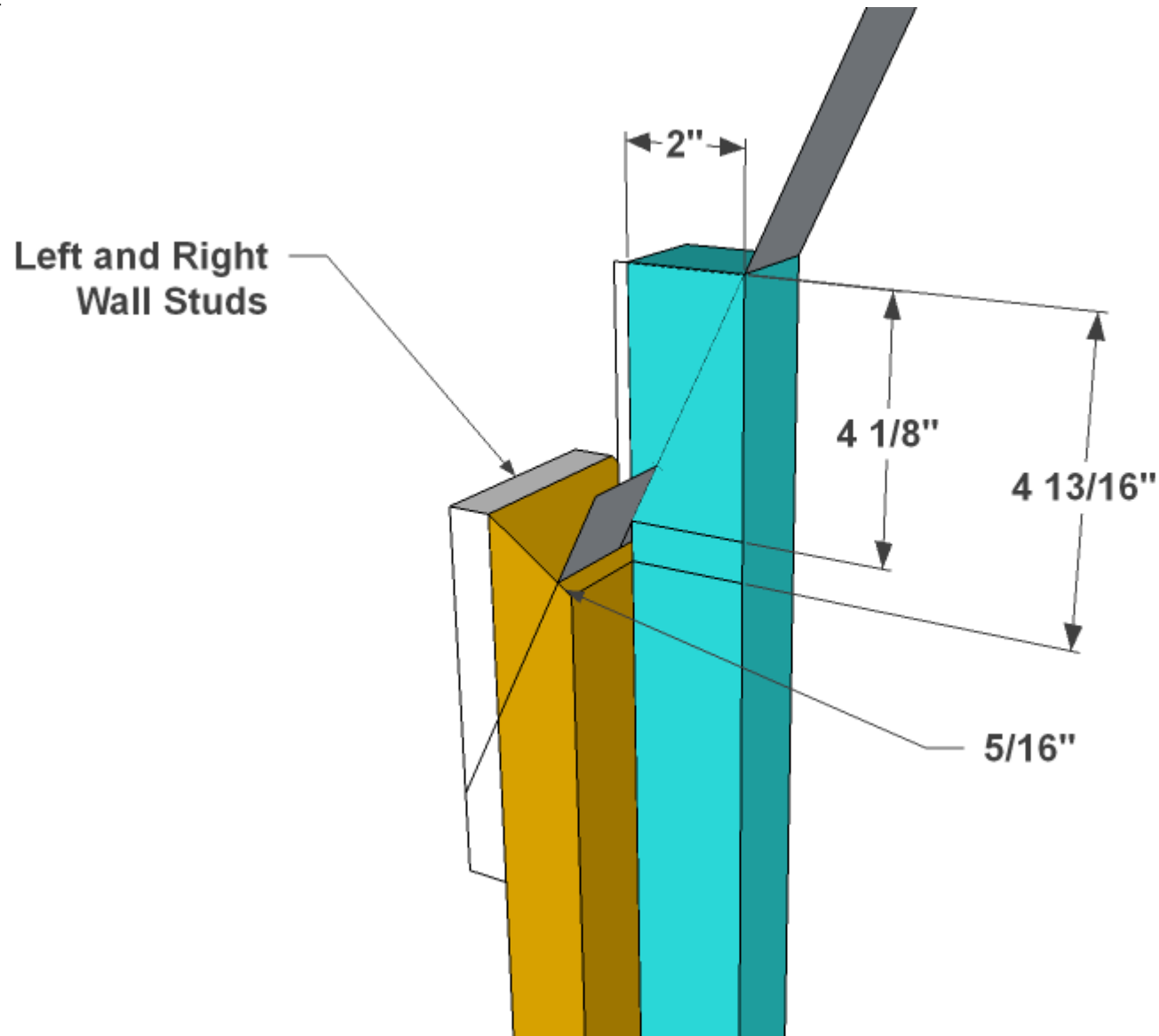
6. Left and Right end wall stud top screw drill guide.



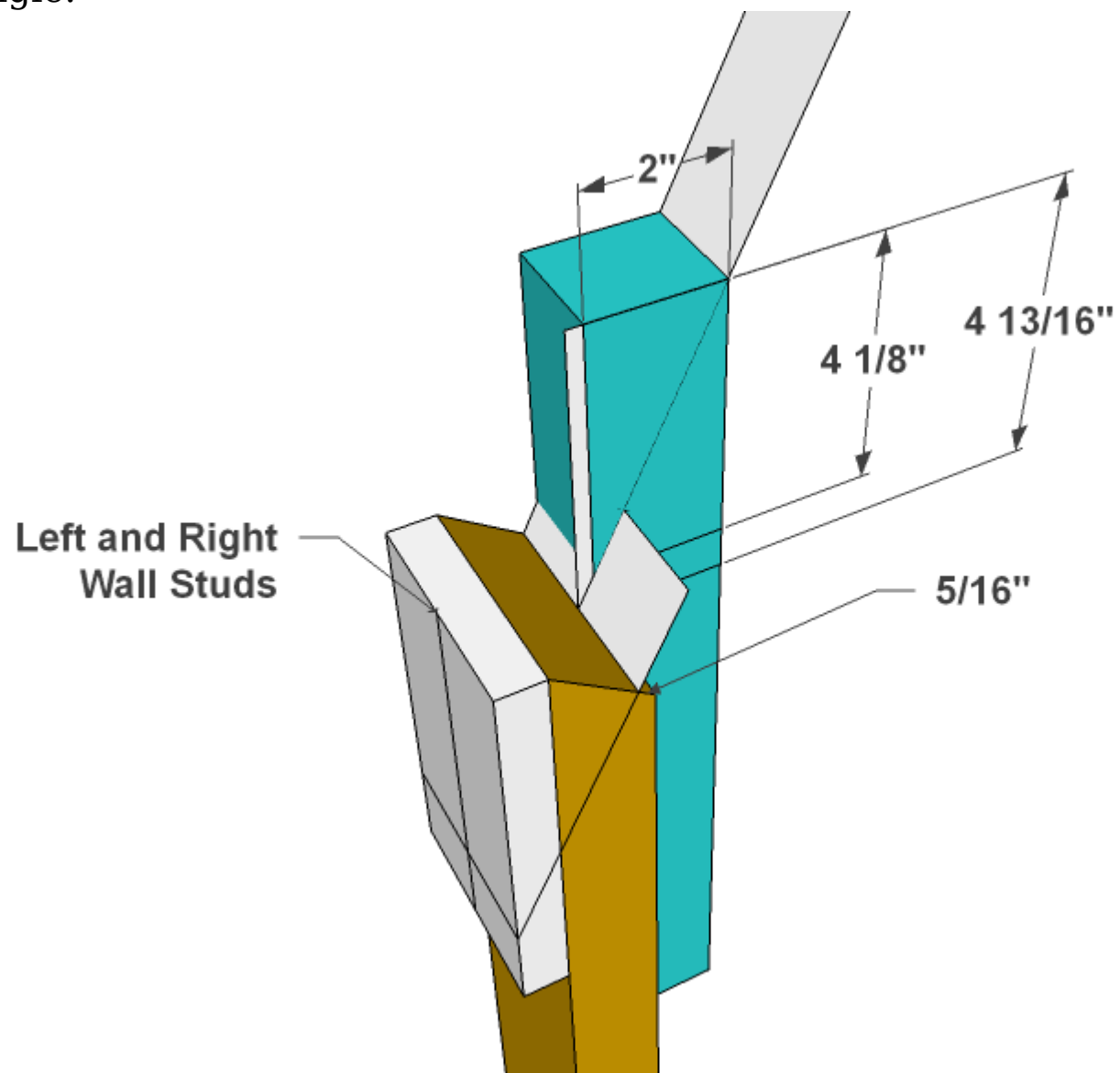
7. Stud top connects to frame member under rafter. Drill in-place to allow for stud fit-up.



8. Drill pilot hole in stud then counterbore bottom of hole to seat hex head screw.



9. Screw Angle.



10. Use alignment fork to hold stud in place while drilling pilot hole into frame top member.

