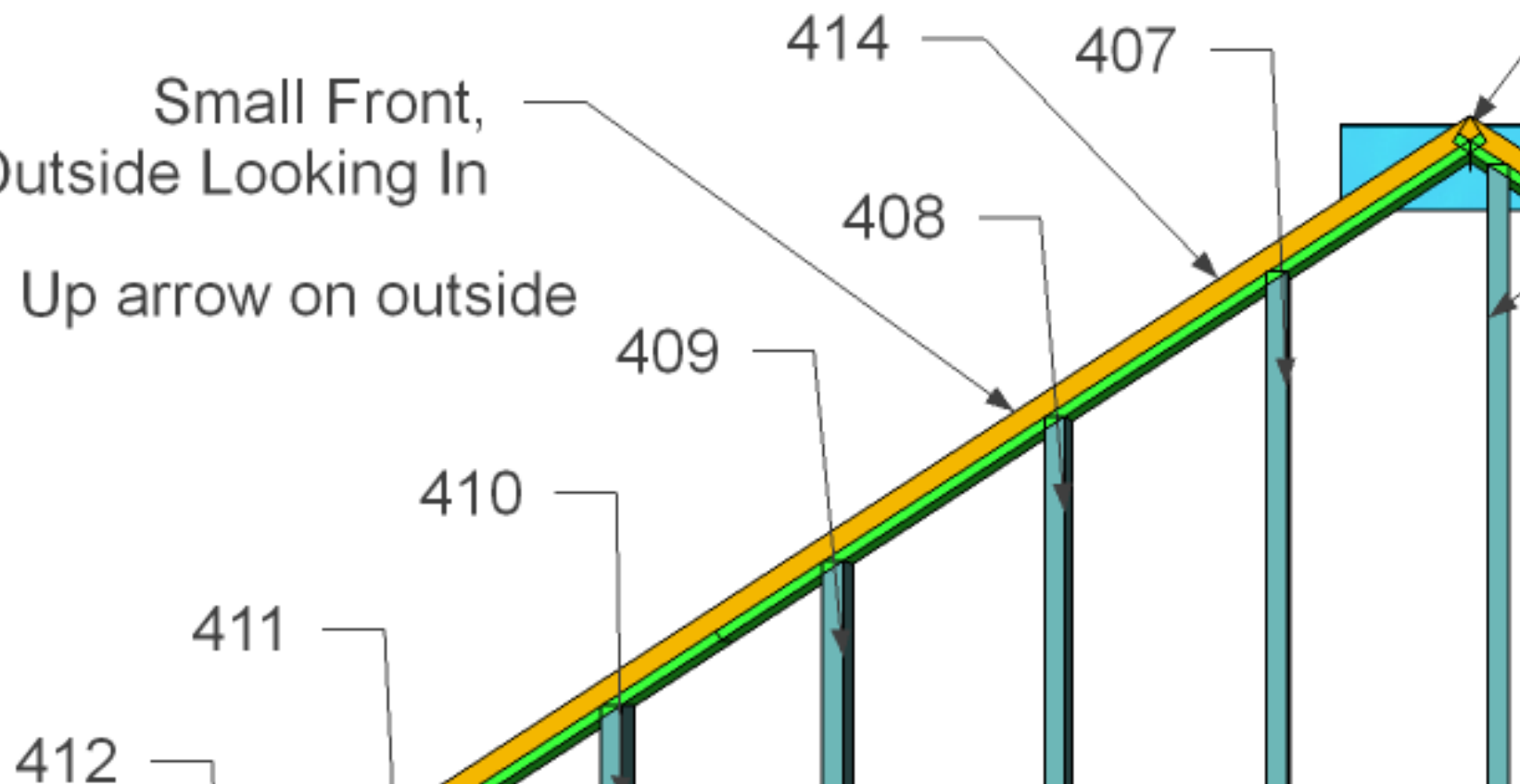
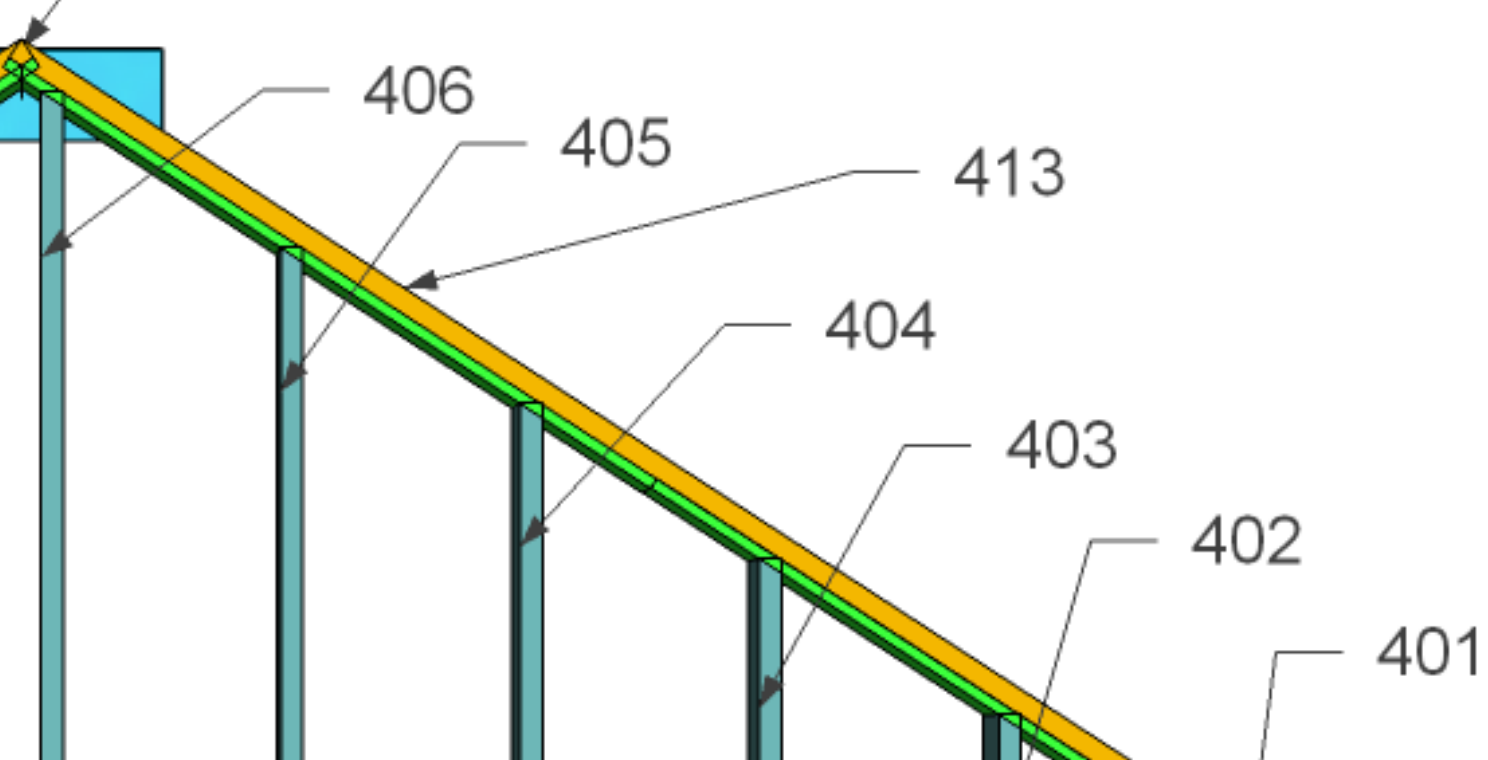


Small Front,
Outside Looking In

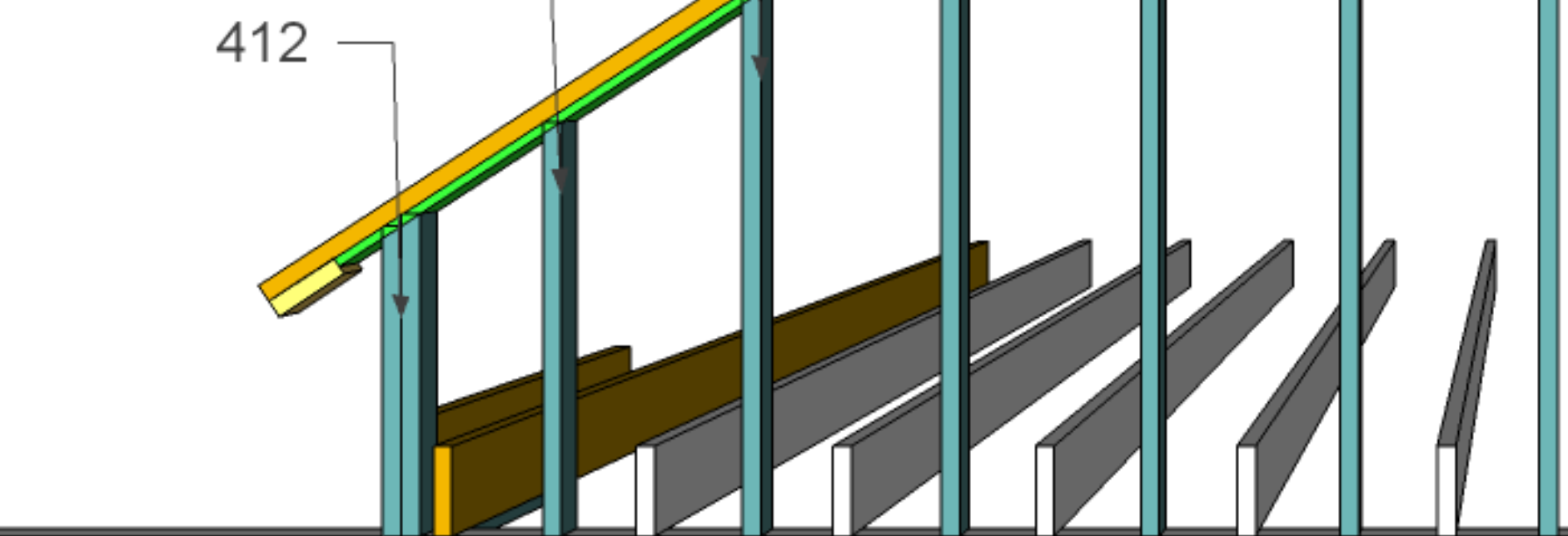
Up arrow on outside



block clamp: $6 \frac{3}{16}$ " x 1' 7"
inner peak 3.5" up from base.



412



Floating End for Fit-up

15' 3 1/4"

